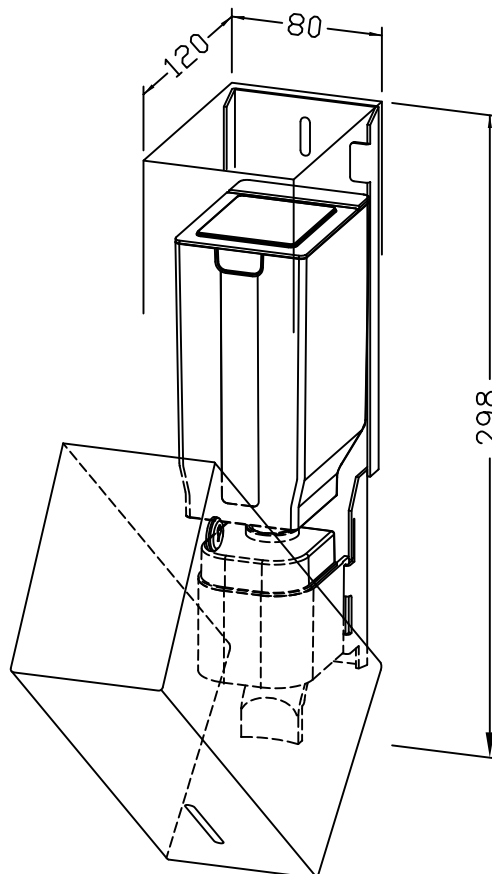


## Liquid soap dispenser in stainless steel



- Full metal housing in robust, easy-to-clean stainless steel AISI 316L, satin finished, all corners fully welded.
- With plug-in tank, removable capacity 850 ml.
- Inspection slot to indicate refill level.
- Housing swings down for refilling.
- Dispenser with drip-free, single-hand pull-operation soap pump.
- Dispenser lockable with cylinder lock, fitted on the side.
- Easy to clean due to optimum accessibility.
- Simple mounting: line up with tiles and fasten with 2 screws.

### Suggested text for specifications:

Liquid soap dispenser in stainless steel AISI 316L for surface mounting, satin finished, lockable with cylinder lock.

Dimensions 80 x 298 x 120 mm; with 850 ml plug-in tank, removable; includes mounting elements.

Article No. WP 102-1

### Available surfaces

satin finished (standard)  
highly polished  
(coloured) plastic powder - coating

### Order number

727 304  
731 304  
728 304

